



Main

Range of product	Easergy P3
Product or component type	Protection relay
Relay application	Universal
Product reference	P3U30-5ABA1BBAA
Power supply	24...48 V DC
Measuring inputs	Phase current : 1/5 A CT (x3) Residual current : 1/5 A CT (x1) Voltage : 100 V/110 V VT (x4)
Number of sensors	0 temperature sensor(s) 0 arc sensor(s)
Number of Digital Inputs (DI)	16
Number of Digital Outputs (DO)	8 1 watchdog
Number of analogue inputs	0
Number of analogue outputs	0
Type of temperature module connection	Copper cable external module Fiber optic cable external module
Communication ports	1 x USB port (front) 1 x RS485 (rear)
Communication protocols	DNP3 Modbus RTU IEC 60870-5-101 IEC 60870-5-103 DeviceNet SPABus
Cybersecurity	Password protection Port hardening
Protection functions	Cold load pick-up Switch ON to fault (SOTF) Phase overcurrent ANSI:50/51 Directional phase overcurrent ANSI:67 Earth fault overcurrent ANSI:50N/51N Directional earth fault ANSI:67N

Disclaimer: This documentation is not intended as a substitute for and is not to be used for determining suitability or reliability of these products for specific user applications

Transient earth fault ANSI:67NI
 Broken conductor ANSI:46 I2/I1
 Breaker failure ANSI:50BF
 Directional active underpower ANSI:37P
 Recloser ANSI:79
 Phase undercurrent ANSI:37
 Excessive starting time, locked rotor ANSI:48/51LR
 Motor restart inhibition ANSI:66
 Capacitor overvoltage ANSI:59C
 Negative sequence overcurrent ANSI:46
 Overvoltage ANSI:59
 Undervoltage ANSI:27
 Positive sequence undervoltage ANSI:27P
 Earth fault overvoltage ANSI:59N
 Underfrequency ANSI:81/81N
 Rate of change of frequency ANSI:81R
 Synchro-check ANSI:25
 Lockout relay ANSI:86
 Programmable stages ANSI:99
 Programmable curve
 CT supervision ANSI:60
 Fault locator ANSI:21FL
 Capacitor bank unbalance ANSI:51C
 VT supervision ANSI:60
 H2 detection ANSI:68H2
 H5 detection ANSI:68H5

Arc flash protection	No
Measurement functions	Reactive energy Short circuit fault reactance Earth fault reactance RMS active power RMS reactive power RMS apparent power Cos ϕ Tan ϕ Power angle Voltage interruption Current 3-phase Current zero sequence Current positive sequence Current negative sequence Current ratio of negative and positive Voltage phase to earth Voltage phase to phase Voltage zero sequence Voltage positive sequence Voltage negative sequence Voltage ratio of negative and positive Current 2nd, 15th harmonics with THD Voltage 2nd, 15th harmonics with THD Condition monitoring CB wear Fault location current Voltage phasor diagram view Current phasor diagram view Frequency Active power Power factor Active energy Reactive power Apparent power
Control functions	Local control on single-line diagram Local control with I/O keys Local/remote control 2 function keys Web-server Programmable switchgear interlocking Switchgear control and monitoring Mobile application with Easergy SmartApp Programmable logic
Controllable switchgear devices	4 controlled + 8 displayed
Number of setting groups	4
Monitoring functions	Trip circuit supervision ANSI:74 Circuit breaker monitoring

	Relay self-monitoring
Logs and records	Disturbance recording Tripping context Event recording
Switchgear diagnosis type	CT supervision CT/VT supervision ANSI:60 Trip circuit supervision ANSI:TCS
Connections - terminals	Screw removable digital input/output Pin removable current transformer Pin removable voltage transformer

Complementary

Digital inputs nominal operation voltage	24...230 V AC/DC
Web server	Embedded HTTP server
Software name	EcoStruxure Power Device ESetup Easergy Pro
Number of key	2 customizable
Local signalling	8 LEDs programmable 4 LEDs
Height	169.5 mm
Width	170 mm
Depth	205 mm
Product weight	2.5 kg maximum

Environment

Standards	IEC
Electromagnetic compatibility	Emission tests class A conforming to CISPR 11 Emission tests class A conforming to CISPR 22 Emission tests conforming to IEC/EN 60255-26 ed. 3 EMC immunity conforming to IEC/EN 60255-26 ed. 3 EMC immunity conforming to EN/IEC 61000-4-18 EMC immunity level 4 conforming to EN/IEC 61000-4-2 EMC immunity level 3 conforming to EN/IEC 61000-4-3 EMC immunity level 4 conforming to EN/IEC 61000-4-4 EMC immunity level 3 conforming to EN/IEC 61000-4-5 EMC immunity level 3 conforming to EN/IEC 61000-4-6 EMC immunity conforming to EN/IEC 61000-4-8 EMC immunity level 5 conforming to EN/IEC 61000-4-9 EMC immunity conforming to EN/IEC 61000-4-29 EMC immunity conforming to EN/IEC 61000-4-11 EMC immunity conforming to EN/IEC 61000-4-17
Mechanical robustness	Vibrations class II conforming to IEC 60255-21-1 Vibrations Fc conforming to IEC 60068-2-6 Shocks class II conforming to IEC 60255-21-2 Shocks Ea conforming to IEC 60068-2-27 Seismic tests method A class II conforming to IEC 60255-21-3 Bumps class II conforming to IEC 60255-21-2 Bumps Ea conforming to IEC 60068-2-27
Climatic withstand	Exposure to dry heat Bb conforming to EN/IEC 60068-2-2 Exposure to cold Ad conforming to EN/IEC 60068-2-1 Exposure to damp heat in service Db conforming to EN/IEC 60068-2-30 Exposure to damp heat in service Cab conforming to EN/IEC 60068-2-78
Ambient air temperature for operation	-40...65 °C
Ambient air temperature for storage	-40...70 °C
IP degree of protection	IP54 conforming to IEC 60529
Relative humidity	0...95 % without condensation
Maximum operating altitude	2000 m
Protective treatment	Conformal coating

Offer Sustainability

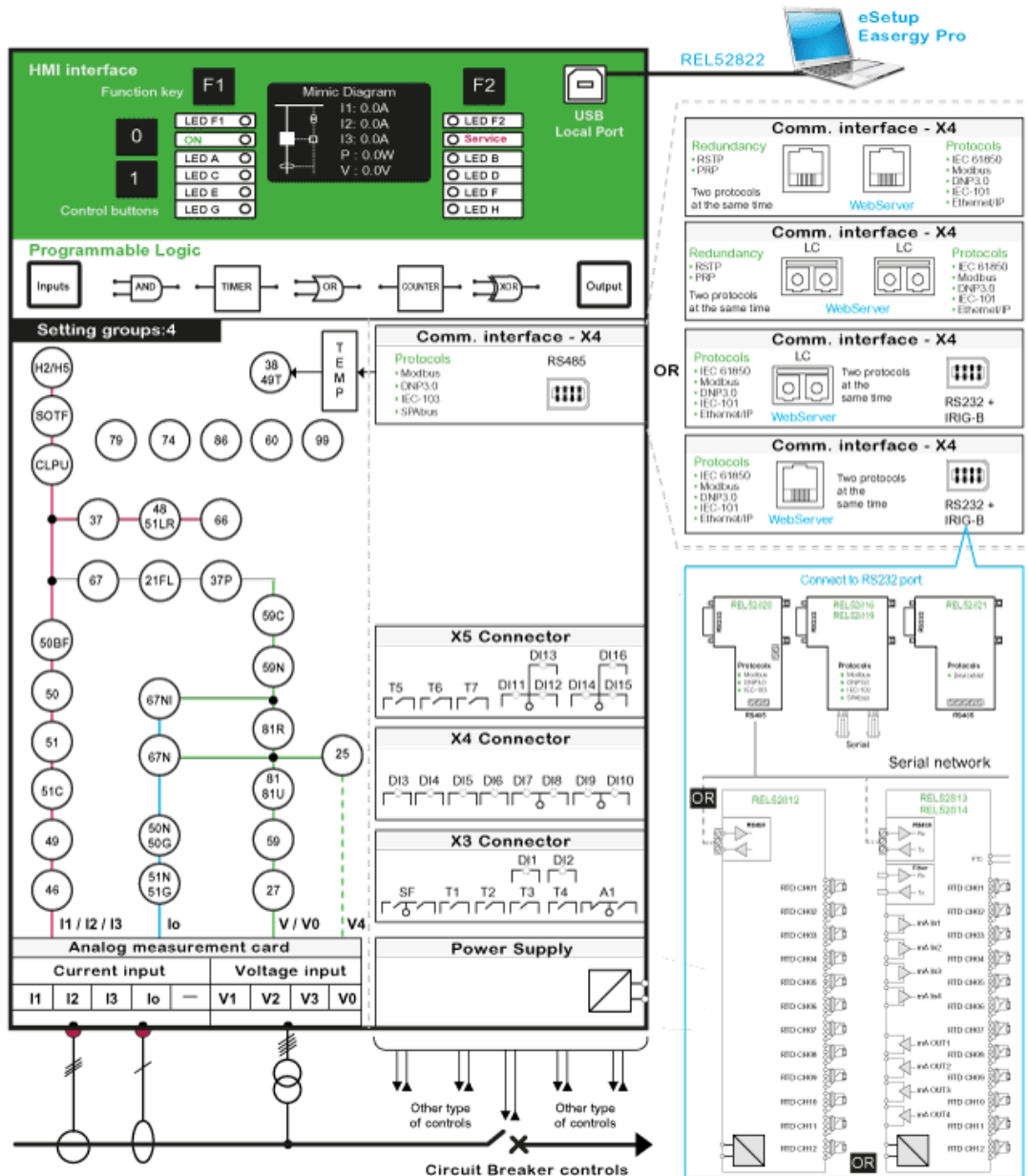
Sustainable offer status	Green Premium product
--------------------------	-----------------------

RoHS (date code: YYWW)	Compliant - since 1741 - Schneider Electric declaration of conformity Schneider Electric declaration of conformity
REACH	Reference not containing SVHC above the threshold Reference not containing SVHC above the threshold
Product environmental profile	Available Product Environmental Profile
Product end of life instructions	Available End of Life Information

Contractual warranty

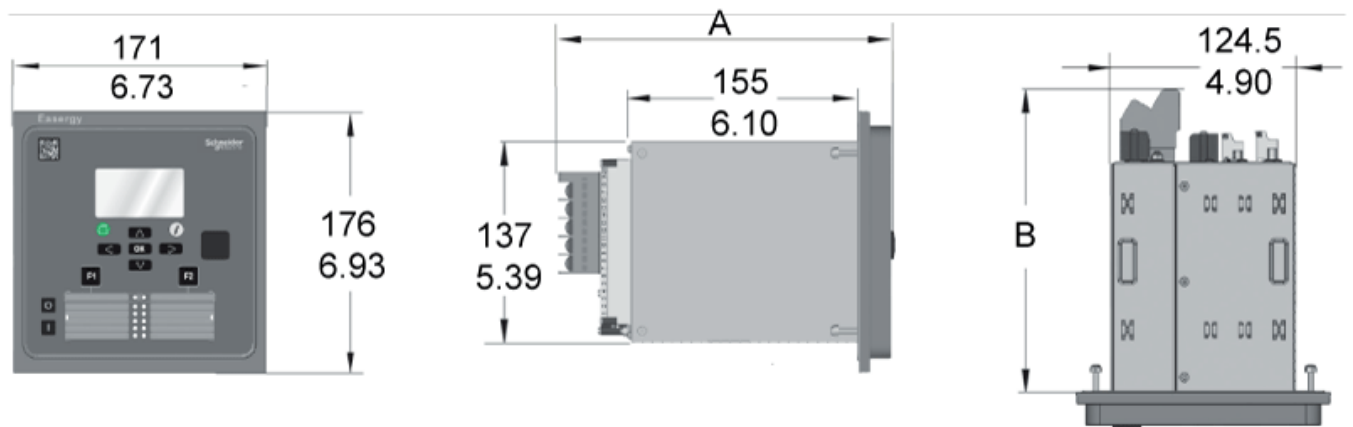
Warranty period	Up to 10 years extended warranty (Standard warranty 2 years. Please check with your local SE representative for extended warranty availability and conditions)
-----------------	--

Functional View



Base Unit Dimensions

mm
in.



	A	B
With screw connector	214 mm/8.43"	192 mm/7.6"
With ring-lug connector	226 mm/8.90"	204 mm/8.0"