



Main

Range of product	Easypact CVS400...630
Product or component type	Earth leakage circuit breaker
Device short name	Vigi CVS400N
Device application	Distribution
Poles description	3P
Protected poles description	3d
Earth leakage protection (Vigi add on)	With
[In] rated current	400 A at 40 °C
Breaking capacity code	N
Network type	AC
[Icu] Breaking capacity	70 kA Icu at 220/240 V AC 50/60 Hz conforming to IEC 60947-2 50 kA Icu at 380/415 V AC 50/60 Hz conforming to IEC 60947-2 42 kA Icu at 440 V AC 50/60 Hz conforming to IEC 60947-2
Utilisation category	Category A
Trip unit name	ETS 2.3
Trip unit technology	Electronic
Trip unit rating	400 A at 40 °C
Protection type	Overload protection (long time) Instantaneous short-circuit protection Short time short-circuit protection
Earth-leakage add-on module name	MB

Complementary

Network frequency	50/60 Hz
Control type	Toggle
Mounting mode	Fixed
Mounting support	Backplate

Upside connection	Front
Downside connection	Front
Connections - terminals	Screw connection
[Uimp] rated impulse withstand voltage	8 kV conforming to EN/IEC 60947-2
[Ics] rated service breaking capacity	70 kA at 220/240 V AC 50/60 Hz conforming to IEC 60947-2 50 kA at 380/415 V AC 50/60 Hz conforming to IEC 60947-2 32 kA at 440 V AC 50/60 Hz conforming to IEC 60947-2
Mechanical durability	15000 cycles
Electrical durability	6000 cycles 415 V In conforming to IEC 60947-2
Connection pitch	45 mm
Contact position indicator	Yes
Trip unit protection functions	LSol
Long time pick-up adjustment type Ir	Adjustable 9 settings
Long time pick-up adjustment range	160...400 A
Long time delay adjustment type	Fixed
[Tr] long-time delay adjustment range	5.5 s at 7.2 x Ir 8 s at 6 x Ir 200 s at 1.5 x Ir
Thermal memory	Yes
Short-time pick-up adjustment type Isd	Adjustable 9 settings
[Isd] short-time pick-up adjustment range	1.5...10 x Ir
Short-time delay adjustment type	Fixed
Instantaneous pick-up adjustment type Ii	Fixed
Instantaneous pick-up adjustment range	11 x In
Earth-leakage protection class	Class A
Residual earth-leakage sensitivity adjustment type	Adjustable 5 settings
[IΔn] residual earth-leakage sensitive adjustment	0.3 A 1 A 3 A 10 A 30 A
Residual earth-leakage time delay adjustment type	Adjustable 4 settings
[Δt] residual earth-leakage time delay adjustment	0 ms 40 ms 60 ms 140 ms 150 ms 300 ms 310 ms 800 ms
Height	355 mm
Width	140 mm
Depth	110 mm
Net weight	4.7 kg

Environment

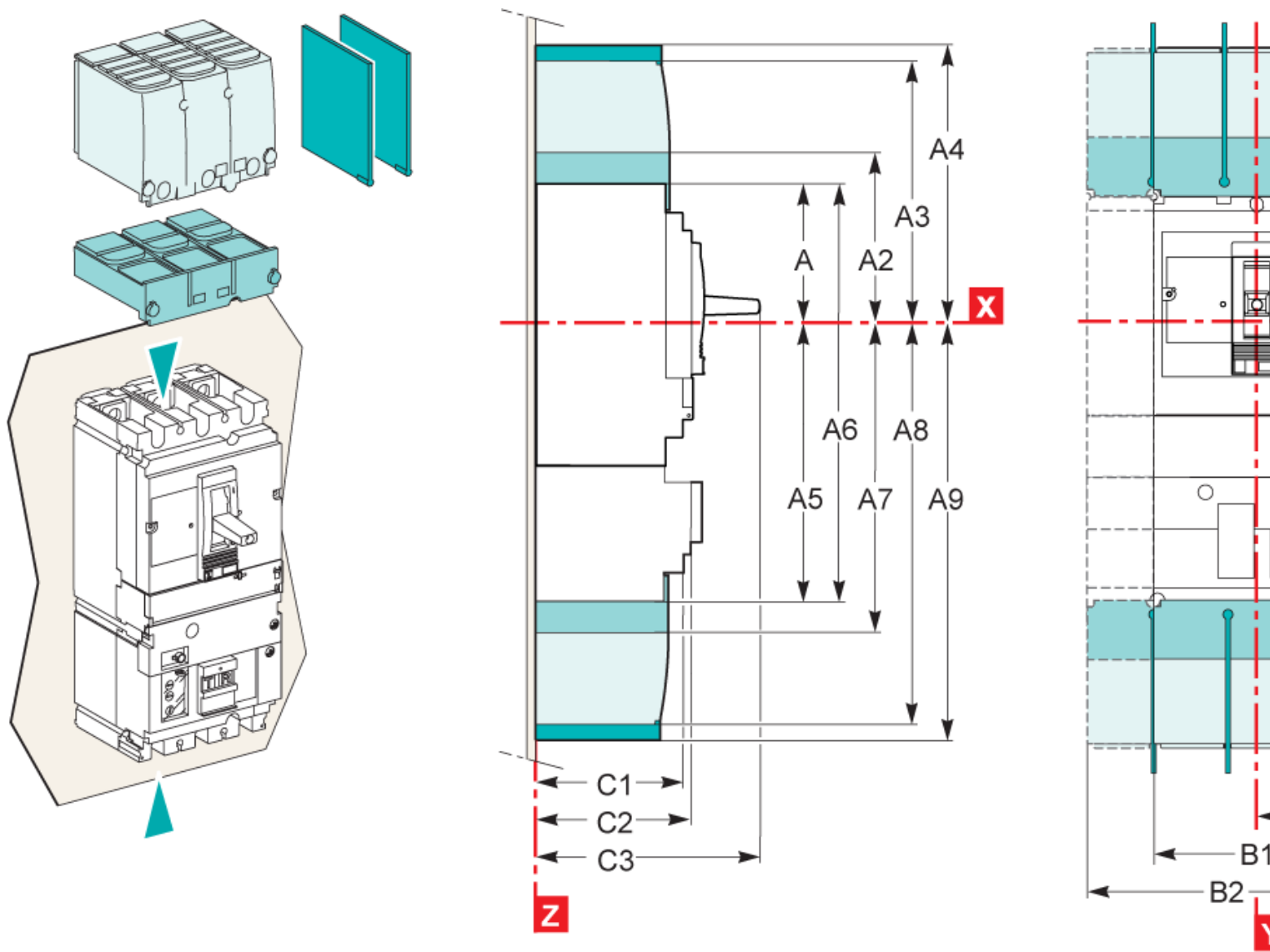
Electrical shock protection class	Class II
Standards	EN 60947-2 IEC 60947-2
Product certifications	GOST IEC
IP degree of protection	IP40
Pollution degree	3 conforming to IEC 60664-1
Ambient air temperature for operation	-25...70 °C
Ambient air temperature for storage	-50...85 °C

Offer Sustainability

Sustainable offer status	Green Premium product
REACH Regulation	REACH Declaration
EU RoHS Directive	Compliant EU RoHS Declaration
Mercury free	Yes
RoHS exemption information	Yes
China RoHS Regulation	China RoHS declaration Product out of China RoHS scope. Substance declaration for your information
Environmental Disclosure	Product Environmental Profile
Circularity Profile	End of Life Information
WEEE	The product must be disposed on European Union markets following specific waste collection and never end up in rubbish bins

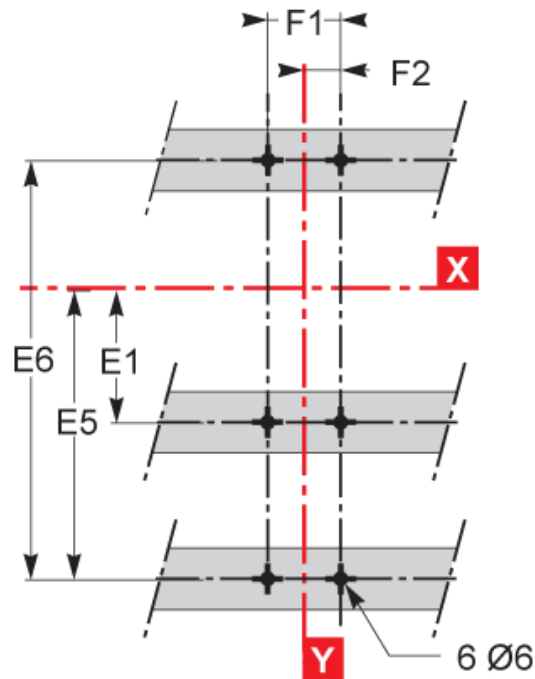
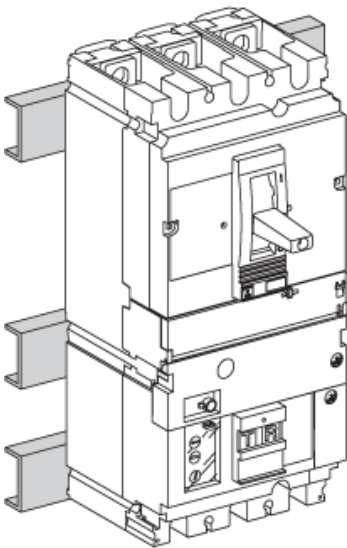
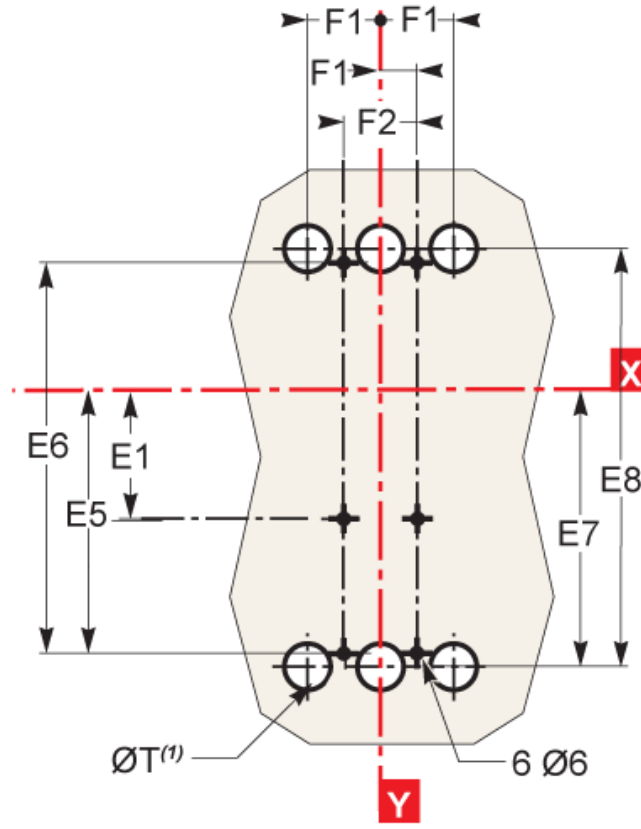
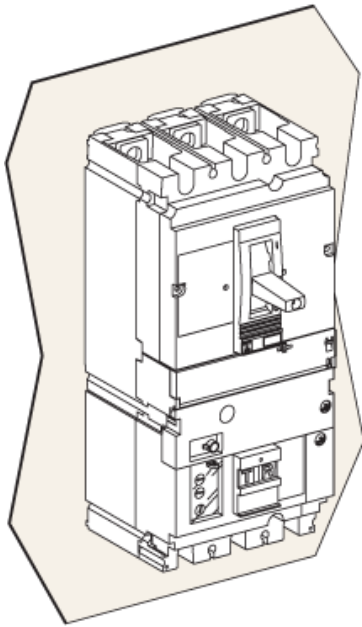
Contractual warranty

Warranty	18 months
----------	-----------



Type	A	A1	A2	A3	A4	A5	A6	A7	A8	A9	B	B1	B2	C1	C2	C3	E1
CVS100/160/250	80.5	161	84	145	178.5	155.5	236	169	220	253.5	52.5	105	140	81	86	111 ^Ø	62.5
CVS400/630	127.5	255	142.5	200	237	227.5	355	242.5	300	337	70	140	185	95.5	110	168	100
Type	E2	E3	E4	E5	E6	E7	E8	F1	F2	F3	G1	G2	G3	G4	G5	ØT	U
CVS100/160/250	125	70	140	137.5	200	145	215	35	17.5	70	95	75	13.5	23	17.5	24	y 32
CVS400/630	200	113.5	227	200	300	213.5	327	45	22.5	90	-	-	-	-	32	y 35	

(Z) C3=126mm for EasyPact CVS250B.F.



Type	A	A1	A2	A3	A4	A5	A6	A7	A8	A9	B	B1	B2	C1	C2	C3	E1
CVS100/160/250	80.5	161	84	145	178.5	156.5	236	169	220	253.5	52.5	105	140	81	86	111 ⁽¹⁾	62.5
CVS400/630	127.5	255	142.5	200	237	227.5	355	242.5	300	337	70	140	185	95.5	110	168	100
Type	E2	E3	E4	E5	E6	E7	E8	F1	F2	F3	G1	G2	G3	G4	G5	ØT	U
CVS100/160/250	125	70	140	137.5	200	145	215	35	17.5	70	95	75	13.5	23	17.5	24	y 32
CVS400/630	200	113.5	227	200	300	213.5	327	45	22.5	90	-	-	-	-	-	32	y 35

(1) C3=126mm for EasyPact CVS250B.F.

