



Main

Range of product	Easypact CVS100...160
Product or component type	Circuit breaker
Device short name	CVS100BS
Device application	Distribution
Poles description	4P
Protected poles description	3d
Neutral position	Left
Earth leakage protection (Vigi add on)	Without
[In] rated current	100 A at 40 °C
Breaking capacity code	BS
Network type	AC
[Icu] Breaking capacity	25 kA Icu at 440 V AC 50/60 Hz conforming to IEC 60947-2 25 kA Icu at 415 V AC 50/60 Hz conforming to IEC 60947-2 50 kA Icu at 200/240 V AC 50/60 Hz conforming to IEC 60947-2 25 kA Icu at 380/400 V AC 50/60 Hz conforming to IEC 60947-2
Utilisation category	Category A
Suitability for isolation	Yes
Trip unit name	TM-D
Trip unit technology	Thermal-magnetic
Trip unit rating	25 A at 40 °C
Protection type	Instantaneous short-circuit protection Overload protection (long time)

Complementary

Network frequency	50/60 Hz
Control type	Toggle
Mounting mode	Fixed
Mounting support	Backplate
Upside connection	Front
Downside connection	Front
Connections - terminals	Screw connection

[Uimp] rated impulse withstand voltage	8 kV conforming to EN/IEC 60947-2
Thermal protection adjustment range	17.5...25 A
[Ics] rated service breaking capacity	25 kA at 200/240 V AC 50/60 Hz conforming to IEC 60947-2 17 kA at 380/400 V AC 50/60 Hz conforming to IEC 60947-2
Mechanical durability	13000 cycles
Electrical durability	4000 cycles 415 V In conforming to IEC 60947-2
Connection pitch	35 mm
Contact position indicator	Yes
Neutral protection setting	No protection (3d)
Long time pick-up adjustment type Ir	Adjustable
Long time pick-up adjustment range	0.7...1 x In
Long time delay adjustment type	Fixed
Instantaneous pick-up adjustment type li	Fixed
Instantaneous pick-up adjustment range	300 A
Height	130 mm
Width	100 mm
Depth	60 mm
Net weight	1 kg

Environment

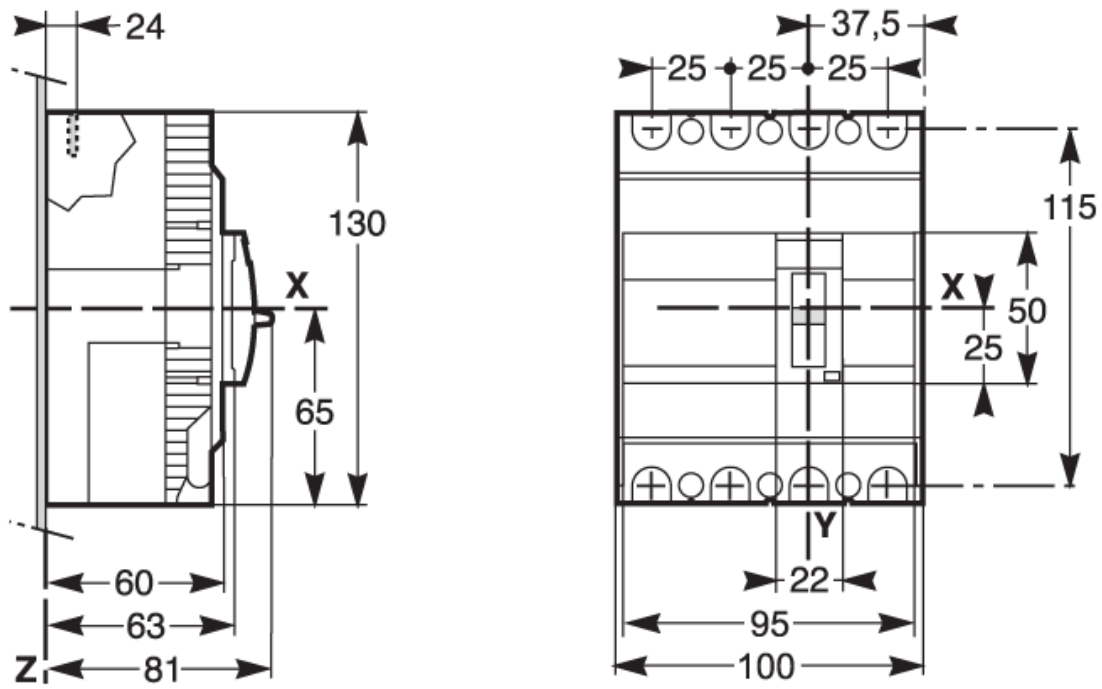
Electrical shock protection class	Class II
Standards	IEC 60947-2
Product certifications	GOST CCS CCC
IP degree of protection	IP40
Pollution degree	3 conforming to IEC 60664-1
Ambient air temperature for operation	-25...70 °C
Ambient air temperature for storage	-50...85 °C

Offer Sustainability

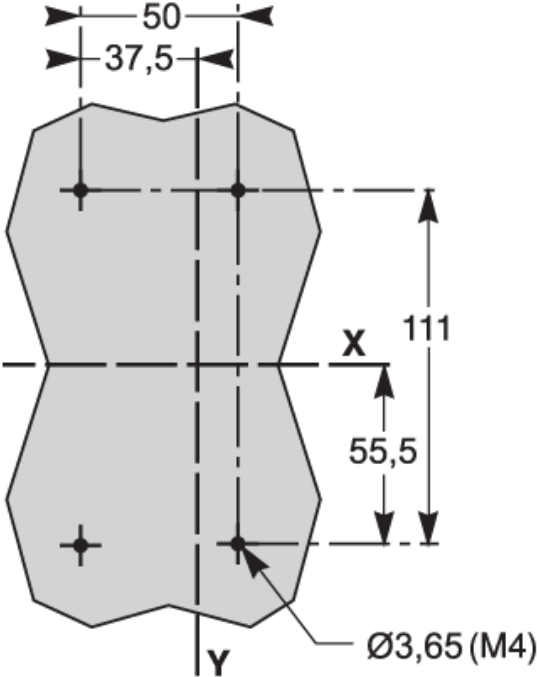
REACH Regulation	REACH Declaration
REACH free of SVHC	Yes
EU RoHS Directive	Under investigation
Mercury free	Yes
RoHS exemption information	Yes
China RoHS Regulation	China RoHS declaration Product out of China RoHS scope. Substance declaration for your information
WEEE	The product must be disposed on European Union markets following specific waste collection and never end up in rubbish bins

Contractual warranty

Warranty	18 months
----------	-----------



4P



25 A

