



Main

Range	TeSys
Product name	TeSys D
Product or component type	Reversing contactor
Device short name	LC2D
Contacteur application	Motor control Resistive load
Utilisation category	AC-1 AC-3
Device presentation	Preassembled with reversing power busbar
Poles description	3P
Power pole contact composition	3 NO
[Ue] rated operational voltage	AC 25...400 Hz for power circuit DC for power circuit
[Ie] rated operational current	50 A (≤ 60 °C) at ≤ 440 V AC AC-3 for power circuit 80 A (≤ 60 °C) at ≤ 440 V AC AC-1 for power circuit
Motor power kW	30 kW at 500 V AC 50 Hz 25 kW at 415 V AC 50 Hz 30 kW at 440 V AC 50 Hz 22 kW at 380...400 V AC 50 Hz 33 kW at 660...690 V AC 50 Hz 15 kW at 220...230 V AC 50 Hz
Motor power HP (UL / CSA)	3 hp at 115 V AC 60 Hz for 1 phase motors 7.5 hp at 230/240 V AC 60 Hz for 1 phase motors 15 hp at 200/208 V AC 60 Hz for 3 phases motors 15 hp at 230/240 V AC 60 Hz for 3 phases motors 40 hp at 460/480 V AC 60 Hz for 3 phases motors 40 hp at 575/600 V AC 60 Hz for 3 phases motors
Control circuit type	AC 50/60 Hz
[Uc] control circuit voltage	48 V AC 50/60 Hz
Auxiliary contact composition	1 NO + 1 NC
[Uimp] rated impulse withstand voltage	6 kV conforming to IEC 60947
Overtoltage category	III

Disclaimer: This documentation is not intended as a substitute for and is not to be used for determining suitability or reliability of these products for specific user applications

[I _{th}] conventional free air thermal current	80 A at ≤ 60 °C for power circuit 10 A at ≤ 60 °C for signalling circuit
I _{rms} rated making capacity	900 A at 440 V for power circuit conforming to IEC 60947 140 A AC for signalling circuit conforming to IEC 60947-5-1 250 A DC for signalling circuit conforming to IEC 60947-5-1
Rated breaking capacity	900 A at 440 V for power circuit conforming to IEC 60947
[I _{cw}] rated short-time withstand current	100 A 1 s signalling circuit 120 A 500 ms signalling circuit 140 A 100 ms signalling circuit 400 A ≤ 40 °C 10 s power circuit 810 A ≤ 40 °C 1 s power circuit 84 A ≤ 40 °C 10 min power circuit 208 A ≤ 40 °C 1 min power circuit
Associated fuse rating	100 A gG at ≤ 690 V coordination type 1 for power circuit 100 A gG at ≤ 690 V coordination type 2 for power circuit 10 A gG for signalling circuit conforming to IEC 60947-5-1
Average impedance	1.5 mΩ at 50 Hz - I _{th} 80 A for power circuit
[U _i] rated insulation voltage	600 V for power circuit certifications CSA 600 V for power circuit certifications UL 690 V for power circuit conforming to IEC 60947-4-1 690 V for signalling circuit conforming to IEC 60947-1 600 V for signalling circuit certifications CSA 600 V for signalling circuit certifications UL
Electrical durability	1.45 Mcycles 50 A AC-3 at U _e ≤ 440 V 1.1 Mcycles 80 A AC-1 at U _e ≤ 440 V
Power dissipation per pole	3.7 W AC-3 9.6 W AC-1
Safety cover	With
Interlocking type	Mechanical
Mounting support	Plate Rail
Standards	CSA C22.2 No 14 EN 60947-4-1 EN 60947-5-1 IEC 60947-4-1 IEC 60947-5-1 UL 508
Product certifications	UL CCC CSA GOST
Connections - terminals	Control circuit : screw clamp terminals 2 cable(s) 1...2.5 mm ² - cable stiffness: flexible - with cable end Power circuit : EverLink BTR screw connectors 1 cable(s) 1...35 mm ² - cable stiffness: flexible - without cable end Power circuit : EverLink BTR screw connectors 1 cable(s) 1...35 mm ² - cable stiffness: flexible - with cable end Power circuit : EverLink BTR screw connectors 1 cable(s) 1...35 mm ² - cable stiffness: solid - without cable end Power circuit : EverLink BTR screw connectors 2 cable(s) 1...25 mm ² - cable stiffness: flexible - without cable end Power circuit : EverLink BTR screw connectors 2 cable(s) 1...25 mm ² - cable stiffness: flexible - with cable end Power circuit : EverLink BTR screw connectors 2 cable(s) 1...25 mm ² - cable stiffness: solid - without cable end Control circuit : screw clamp terminals 1 cable(s) 1...4 mm ² - cable stiffness: flexible - without cable end Control circuit : screw clamp terminals 2 cable(s) 1...4 mm ² - cable stiffness: flexible - without cable end Control circuit : screw clamp terminals 1 cable(s) 1...4 mm ² - cable stiffness: flexible - with cable end Control circuit : screw clamp terminals 1 cable(s) 1...4 mm ² - cable stiffness: solid - without cable end Control circuit : screw clamp terminals 2 cable(s) 1...4 mm ² - cable stiffness: solid - without cable end
Tightening torque	Control circuit : 1.7 N.m - on screw clamp terminals - with screwdriver flat Ø 6 mm Control circuit : 1.7 N.m - on screw clamp terminals - with screwdriver Philips No 2 Power circuit : 8 N.m - on EverLink BTR screw connectors - cable 25...35 mm ² hexagonal 4 mm Power circuit : 5 N.m - on EverLink BTR screw connectors - cable 1...25 mm ² hexagonal 4 mm
Operating time	12...26 ms closing 4...19 ms opening

Safety reliability level	B10d = 1369863 cycles contactor with nominal load conforming to EN/ISO 13849-1 B10d = 20000000 cycles contactor with mechanical load conforming to EN/ISO 13849-1
Mechanical durability	6 Mcycles
Operating rate	<= 3600 cyc/h at <= 60 °C

Complementary

Coil technology	Without built-in suppressor module
Control circuit voltage limits	0.3...0.6 Uc drop-out at 60 °C, AC 50/60 Hz 0.8...1.1 Uc operational at 60 °C, AC 50 Hz 0.85...1.1 Uc operational at 60 °C, AC 60 Hz
Inrush power in VA	140 VA at 20 °C (cos ϕ 0.75) 60 Hz 160 VA at 20 °C (cos ϕ 0.75) 50 Hz
Hold-in power consumption in VA	13 VA at 20 °C (cos ϕ 0.3) 60 Hz 15 VA at 20 °C (cos ϕ 0.3) 50 Hz
Heat dissipation	4...5 W at 50/60 Hz
Auxiliary contacts type	Type mechanically linked (1 NO + 1 NC) conforming to IEC 60947-5-1 Type mirror contact (1 NC) conforming to IEC 60947-4-1
Signalling circuit frequency	25...400 Hz
Minimum switching current	5 mA for signalling circuit
Minimum switching voltage	17 V Signalling circuit
Non-overlap time	1.5 ms on de-energisation (between NC and NO contact) 1.5 ms on energisation (between NC and NO contact)
Insulation resistance	> 10 MOhm for signalling circuit

Environment

IP degree of protection	IP20 front face conforming to IEC 60529
Protective treatment	TH conforming to IEC 60068-2-30
Pollution degree	3
Ambient air temperature for operation	-5...60 °C
Ambient air temperature for storage	-60...80 °C
Permissible ambient air temperature around the device	-40...70 °C at Uc
Operating altitude	3000 m without derating
Fire resistance	850 °C conforming to IEC 60695-2-1
Flame retardance	V1 conforming to UL 94
Mechanical robustness	Vibrations contactor open 2 Gn, 5...300 Hz Vibrations contactor closed 4 Gn, 5...300 Hz Shocks contactor open 10 Gn for 11 ms Shocks contactor closed 15 Gn for 11 ms
Height	122 mm
Width	119 mm
Depth	120 mm
Product weight	1.88 kg

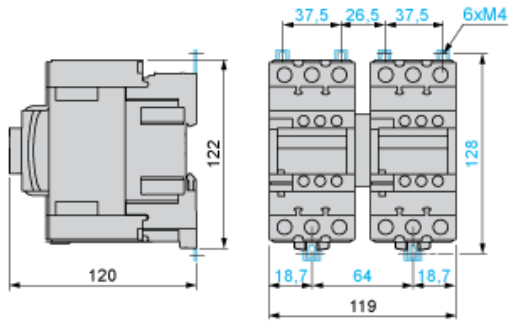
Offer Sustainability

Sustainable offer status	Green Premium product
RoHS (date code: YYWW)	Compliant - since 0501 - Schneider Electric declaration of conformity Schneider Electric declaration of conformity
REACH	Reference not containing SVHC above the threshold Reference not containing SVHC above the threshold
Product environmental profile	Available Product Environmental Profile
Product end of life instructions	Available End of Life Information

Contractual warranty

Warranty period	18 months
-----------------	-----------

Dimensions



Wiring

