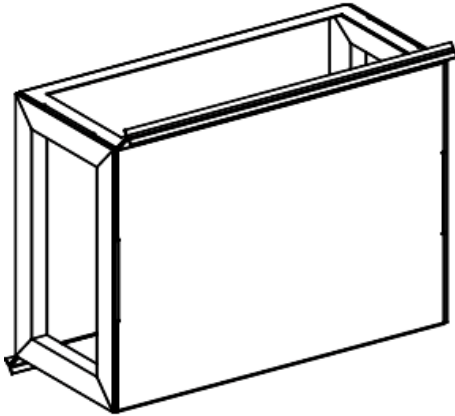


# Product data sheet

## Characteristics

# KRB0110EM12

Canalis - casting mould - for trunking 1000A AL,  
1350A CO - 5 conductors



### Main

Range	Canalis
Product name	KR
Product or component type	Casting mould
Device short name	KRB
Range compatibility	Canalis - KR KRA Canalis - KR KRC
Accessory / separate part category	Coupling accessory
[Ie] rated operational current	1000 A with aluminium 1350 A with copper
Busbar trunking polarity	3L + N + PE
Length	320 mm

### Complementary

Width	160 mm
Height	150 mm
Quantity per set	Set of 1
Kit composition	8 x neoprene seal 2 x mould 2 x C-profile

### Offer Sustainability

RoHS (date code: YYWW)	Compliant - since 1608 - Schneider Electric declaration of conformity <a href="#">Schneider Electric declaration of conformity</a>
Product environmental profile	Available <a href="#">Product Environmental Profile</a>
Product end of life instructions	Available <a href="#">End of Life Information</a>