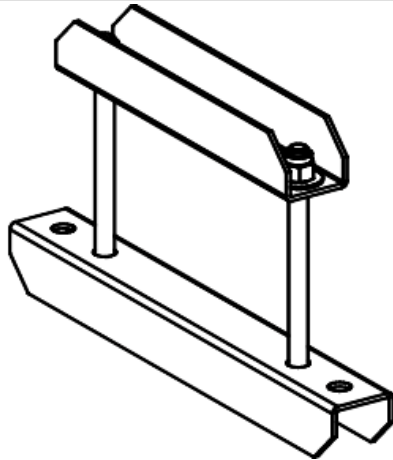


Product data sheet

Characteristics

KRB0090ZA1

Canalis - horizontal flat support - trunking 800A
AL, 1000A CO - 3-4-5 conduct.



Main

Range	Canalis
Product name	KR
Product or component type	Flat support
Device short name	KRB
Device composition	Support Threaded rod

Complementary

Accessory / separate part category	Support accessory
Fixing device mounting	Suspended on threaded rod
Mounting position	Horizontal
[Ie] rated operational current	800 A with aluminium 1000 A with copper
Busbar trunking polarity	3L + N + PE 3L 3L + N or 3L + PE or 3L + PEN
Material	Stainless steel 316
Standards	IEC 61439-2 IEC 61439-6
Height	90 mm
Quantity per set	Set of 1

Offer Sustainability

RoHS (date code: YYWW)	Compliant - since 1608 - Schneider Electric declaration of conformity Schneider Electric declaration of conformity
Product environmental profile	Available Product Environmental Profile
Product end of life instructions	Available End of Life Information