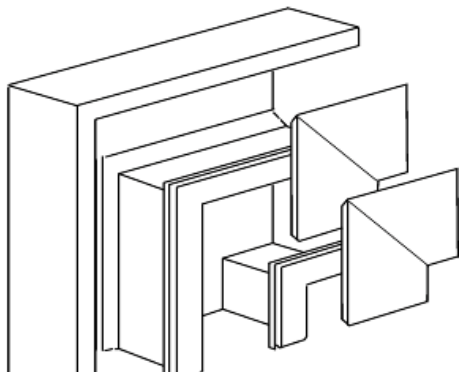


Product data sheet

Characteristics

INS5558506

Stago - bend 90 kit, dropper - 233-2 x 72 mm - steel - optional colour



ⓘ Discontinued

INS5558506 has not been replaced. Please contact your customer care center for more information.

Main

Range of product	Stago
Product or component type	Bend
Provided equipment	2 x cover
Colour tint	Optional
Quantity per set	Set of 1

Complementary

Trunking dimension	233 x 72 mm
Compartment partitioning	2 compartments
Operating angle	90 °
Direction change type	Vertical
Front opening size	80 mm
Nominal cross section	16776 mm ²
Fixing mode	By screws By brackets
Material	Zinc coated sheet steel
Surface finish	Powder coated
Length	250 mm
Height	233 mm
Width	72 mm

Environment

Standards	EN 50085-1:2005 EN 50085-2-1:2006
Directives	73/23/EEC - low voltage directive
Ambient air temperature for operation	-20...60 °C
Environmental health and issues	Halogen free
IP degree of protection	IP20

Disclaimer: This documentation is not intended as a substitute for and is not to be used for determining suitability or reliability of these products for specific user applications