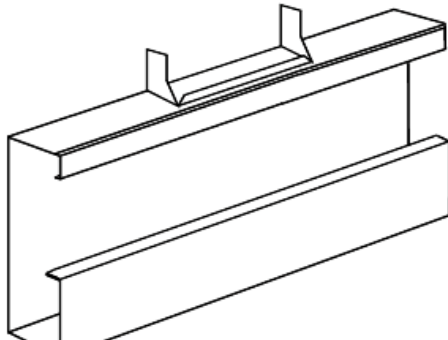


# Product data sheet

## Characteristics

# INS5553711

Stago - branching piece upward - 170A x 65 mm - steel - optional colour



⚠ Discontinued

has not been replaced. Please contact your customer care center for more information.

### Main

Range of product	Stago
Product or component type	Branching piece
Colour tint	Optional
Quantity per set	Set of 1

### Complementary

Trunking dimension	170A x 65 mm
Compartment partitioning	1 compartment
Nominal cross section	11050 mm <sup>2</sup>
Front opening size	80 mm
Fixing mode	By brackets By screws
Material	Zinc coated sheet steel
Length	300 mm
Height	170 mm
Width	65 mm

### Environment

Environmental health and issues	Halogen free
Standards	EN 50085-1:2005 EN 50085-2-1:2006
Directives	73/23/EEC - low voltage directive
Ambient air temperature for operation	-20...60 °C
IP degree of protection	IP20

Disclaimer: This documentation is not intended as a substitute for and is not to be used for determining suitability or reliability of these products for specific user applications