



Main

Range of product	Lexium integrated drive
Product or component type	Motion integrated drive
Device short name	ILT
Motor type	2-phase stepper motor
Network type	DC
Electrical connection	Industrial connector
[Us] rated supply voltage	24...48 V
Communication interface	Pulse/Direction 5 -24 V
Length	83.57 mm
Winding type	Medium speed of rotation and medium torque
Holding brake	Without
Gear box type	Without
Nominal speed	400 rpm at 24 V 600 rpm at 48 V
Holding torque	0.33 N.m

Complementary

Mounting support	Flange
Motor flange size	42 mm
Feedback type	Without
Supply voltage limits	12...48 V
Current consumption	1.3 A (maximum continuous)
Input/Output type	3 inputs (Step Clock, Direction, Enable)
Voltage state 1 guaranteed	≥ 2.2 V
Protection type	Overload of output voltage Short circuit of the output voltage
Peak stall torque	0.33 N.m
Continuous stall torque	0.33 N.m
Speed feedback resolution	1000 steps 10000 steps 12800 steps 1600 steps 200 steps

Disclaimer: This documentation is not intended as a substitute for and is not to be used for determining suitability or reliability of these products for specific user applications

	2000 steps
	20000 steps
	25000 steps
	25600 steps
	3200 steps
	400 steps
	40000 steps
	5000 steps
	50000 steps
	51200 steps
	6400 steps
	800 steps
Accuracy error	+/- 0.3 arc/min
Rotor inertia	0.057 kg.cm ²
Service life in hours	20000 H
Marking	CE
Product weight	0.34 kg

Environment

Standards	EMC immunity IEC 61000-4-2 EN 55011:2007, A2:2007 for Group 1, Class A EN 61000-3-2 : 2006 EN 61000-3-3:1995, A1:2001, A2:2005 IEC 61000-4-11 IEC 61000-4-3 IEC 61000-4-4 IEC 61000-4-5 IEC 61000-4-6
Ambient air temperature for operation	> 50...65 °C with power derating of 2 % per °C 0...50 °C without derating
Permissible ambient air temperature around the device	100 °C
Ambient air temperature for storage	-25...70 °C
Operating altitude	<= 1000 m without derating
Relative humidity	15...85 % without condensation
IP degree of protection	IP41 shaft bushing conforming to EN/IEC 60034-5 IP54 total except shaft bushing conforming to EN/IEC 60034-5

Offer Sustainability

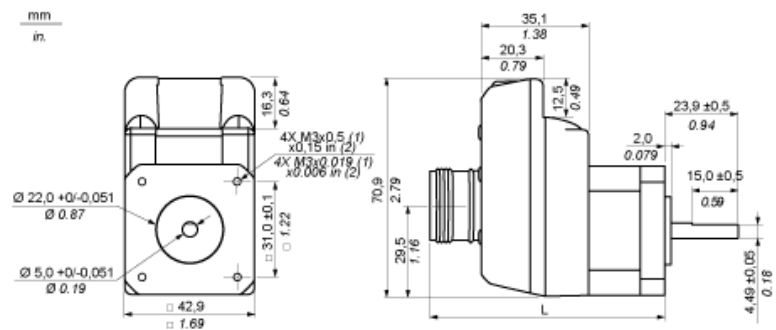
RoHS (date code: YYWW)	Compliant Schneider Electric declaration of conformity
REACH	Reference not containing SVHC above the threshold Reference not containing SVHC above the threshold

Contractual warranty

Warranty period	18 months
-----------------	-----------

Integrated Drive with Industrial Connectors

Dimensions



- (1) Thread
- (2) Depth
- L 83.57 mm/3.29 in.

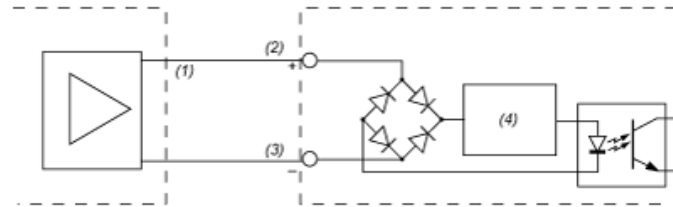
Multifunction Interface

Wiring Diagrams

The multifunction interface operates at 5 to 24 V opto-isolated, sinking or sourcing

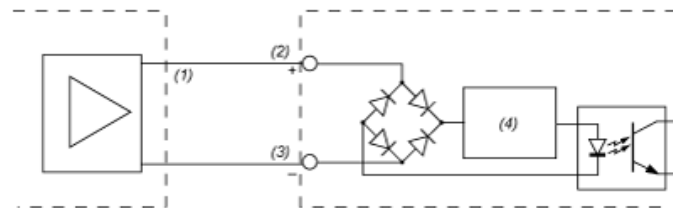
The reference pulses are supplied via two of the signal inputs as pulse/direction signals. The remaining signal inputs have the function “power amplifier enable/pulse blocking” and optocoupler reference, which establishes the inputs as sinking or sourcing.

Circuit of signal inputs sinking



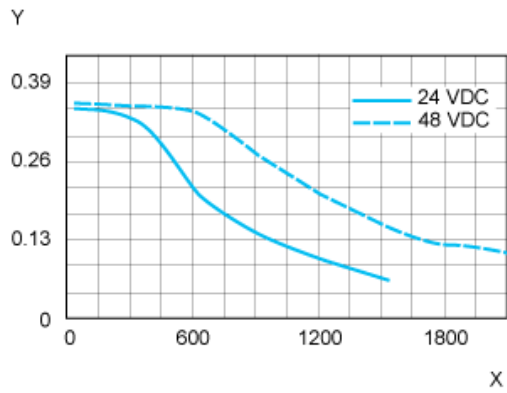
- (1) 5 to 24 V
- (2) Opto reference
- (3) Input
- (4) Constant current source

Circuit of signal inputs sourcing



- (1) 5 to 24 V
- (2) Input
- (3) Opto reference
- (4) Constant current source

Torque Characteristics



X Speed of rotation in rpm
Y Torque in Nm