



Main

Range of product	Lexium integrated drive
Product or component type	Motion integrated drive
Device short name	ILP
Motor type	2-phase stepper motor
Network type	DC
Electrical connection	Industrial connector
[Us] rated supply voltage	24...48 V
Length	77.72 mm
Winding type	Medium speed of rotation and medium torque
Gear box type	Without
Nominal speed	1500 rpm at 48 V 800 rpm at 24 V
Holding torque	0.19 N.m

Complementary

Communication interface	RS485
Transmission rate	4.8, 9.6, 19.2, 38.4, 115 kbauds
Mounting support	Flange
Motor flange size	42 mm
Feedback type	Index pulse
Holding brake	Without
Supply voltage limits	12...48 V
Current consumption	1.3 A (maximum continuous)
Input/Output type	11 signals (each be used as input or output)
Voltage state 0 guaranteed	<= 0.8 V
Voltage state 1 guaranteed	>= 2.2 V
Discrete input current	1.75 mA at 24 V for 24 V signal interface
Maximum switching current	275 mA four channels 600 mA single channel
Protection type	Overload of output voltage Short circuit of the output voltage
Peak stall torque	0.19 N.m

Disclaimer: This documentation is not intended as a substitute for and is not to be used for determining suitability or reliability of these products for specific user applications

Continuous stall torque	0.19 N.m
Speed feedback resolution	1000 steps 10000 steps 12800 steps 1600 steps 200 steps 2000 steps 20000 steps 25000 steps 25600 steps 3200 steps 400 steps 40000 steps 5000 steps 50000 steps 51200 steps 6400 steps 800 steps
Accuracy error	+/- 0.3 arc/min
Rotor inertia	0.038 kg.cm ²
Service life in hours	20000 H
Marking	CE

Environment

Standards	IEC 61000-4-3 IEC 61000-4-6 EN 61000-3-3:1995, A1:2001, A2:2005 IEC 61000-4-5 IEC 61000-4-4 EN 61000-3-2 : 2006 EMC immunity IEC 61000-4-2 IEC 61000-4-11 EN 55011:2007, A2:2007 for Group 1, Class A
Ambient air temperature for operation	> 50...65 °C with power derating of 2 % per °C 0...50 °C without derating
Permissible ambient air temperature around the device	100 °C
Ambient air temperature for storage	-25...70 °C
Operating altitude	<= 1000 m without derating
Relative humidity	15...85 % without condensation
IP degree of protection	IP41 shaft bushing conforming to EN/IEC 60034-5 IP54 total except shaft bushing conforming to EN/IEC 60034-5

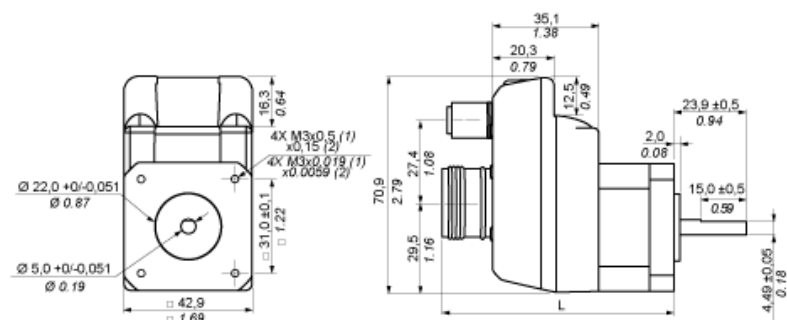
Contractual warranty

Warranty period	18 months
-----------------	-----------

Integrated Drive with Industrial Connectors

Dimensions

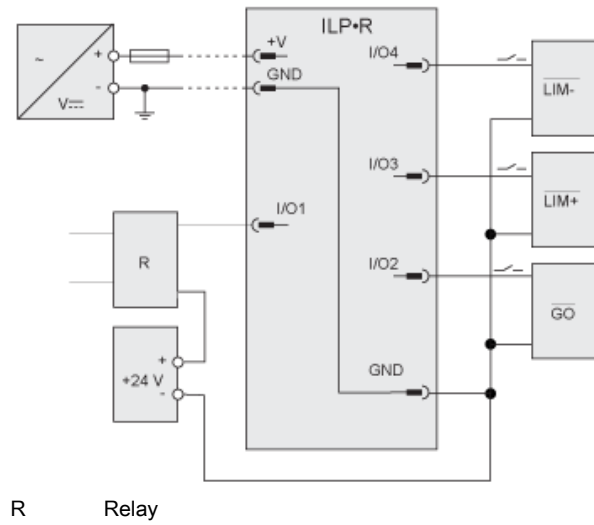
$\frac{\text{mm}}{\text{in.}}$



- (1) Thread
- (2) Depth
- L 77.72 mm/3.06 in.

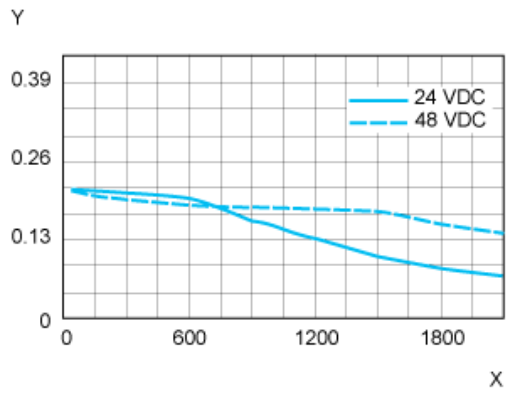
Connection Example with 4 I/O Signals

Three sinking inputs (I/O4 - I/O2) and a sourcing output (I/O1).



R Relay

Torque Characteristics



X Speed of rotation in rpm
Y Torque in Nm