



Main

Range compatibility	Lexium 32 Lexium 32i Lexium 62 ILM Lexium 52 Lexium 62
Product or component type	Angular planetary gearbox
Gear box type	Straight teeth
Device short name	GBY
Product compatibility	BMH (100 mm, 3 motor stacks) BSH (100 mm, 3 motor stacks) BMH (140 mm, 1 motor stacks) BSH (100 mm, 4 motor stacks) BSH (140 mm, 1 motor stacks) SH3 MH3 ILM BMI (100 mm, 2 motor stacks) BMI (100 mm, 3 motor stacks)
Gearbox external diameter	120 mm
Reduction ratio	4:1

Complementary

Torsional backlash	< 11 arc.min
Torsional rigidity	12 N.m/arcmin
Housing colour	Black
Housing material	Black anodized aluminium
Shaft material	C 45
Additional information	Lubricated for life
Service life in hours	30000 h at 100 rpm at 30 °C
Mounting position	Any position
Efficiency	94 %

Maximum radial force Fr	1500 N at 100 rpm, force applied at mid-distance from output shaft during 30000 hour at 30 °C
Maximum axial force Fa	2100 N at 100 rpm, during 30000 hour at 30°C
Moment of inertia	3.91 kg.cm ²
Continuous output torque	105 N.m at 100 rpm at 30 °C
Maximum output torque	168 N.m at 100 rpm at 30 °C
Product weight	12 kg

Environment

Noise level	75 dB at 1 m, no-load
IP degree of protection	IP54 on shaft output
Ambient temperature for operation	-25...90 °C

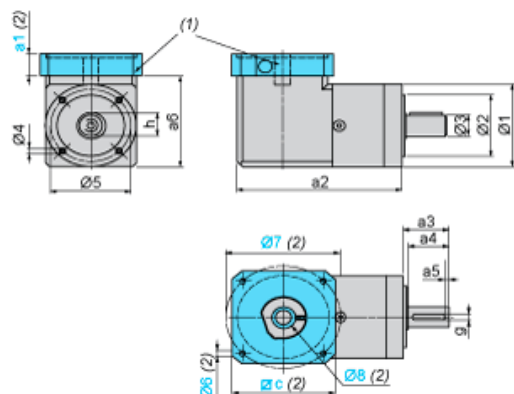
Offer Sustainability

Sustainable offer status	Green Premium product
RoHS (date code: YYWW)	Compliant Schneider Electric declaration of conformity
REACH	Reference not containing SVHC above the threshold Reference not containing SVHC above the threshold
Product environmental profile	Available
Product end of life instructions	Need no specific recycling operations

Contractual warranty

Warranty period	18 months
-----------------	-----------

Dimensions with Servo Motor Adaptation Kit



- (1) GBK adaptation kit
 (2) GBK adaptation kit related dimensions a1, c, Ø6, Ø7, Ø8 depend on the gearbox and servo motor combination
 Ø8 shaft end adaptor in case motor shaft diameter is smaller than gearbox input coupling diameter

Values in mm

a2	a3	a4	a5	h	g	Ø1	Ø2	Ø3	Ø4	Ø5	a6
194.5	55	50	5	28	8	115	80 h7	25 h7	M10 x 16	100	123.7

Values in in.

a2	a3	a4	a5	h	g	Ø1	Ø2	Ø3	Ø4	Ø5	a6
7.66	2.17	1.97	0.197	1.10	0.31	4.53	3.15 h7	0.98 h7	M10 x 0.63	3.94	4.87