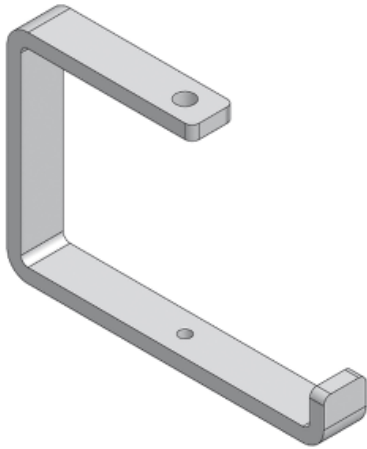


Product data sheet  
Characteristics

CSU08173300

Stago - c bracket - 300 mm - steel - hot-dip galvanized



Main

Range of product	Stago
Product or component type	Ceiling bracket
Mounting location	For area with high level of environmental corrosion, humidity and airborne pollution, such as industrial and coastal areas, chemical plants

Complementary

Shape	C-shape
Product destination	KB184 cable tray 300 mm width KB284 cable tray 300 mm width TV184 cable tray 300 mm width WHS cable ladder 300 mm width
Fixing mode	By screw
Material with surface treatment	Steel, hot-dip galvanized
Corrosion class	C3/C4
Height	155 mm
Width	326 mm
Depth	30 mm

Offer Sustainability

RoHS (date code: YYWW)	Compliant - since 0852 - Schneider Electric declaration of conformity <a href="#">Schneider Electric declaration of conformity</a>
REACH	Reference not containing SVHC above the threshold <a href="#">Reference not containing SVHC above the threshold</a>
Product end of life instructions	Need no specific recycling operations

Disclaimer: This documentation is not intended as a substitute for and is not to be used for determining suitability or reliability of these products for specific user applications