



Main

Range of product	Modicon MC80
Product or component type	Processor module
Product specific application	Thermo solar - parabolic trough without encoder

Complementary

Product compatibility	BMXFTB20... terminal block discrete I/O module BMXFTB20... terminal block analog input module
[Us] rated supply voltage	24 V (- 15...20 %) DC
Current consumption	<= 700 mA
Isolation voltage	1500 V DC
Memory description	128 kB internal RAM for data 3840 kB internal RAM 3590 kB internal RAM for program constants and symbols
Execution time per instruction	0.06 µs Boolean 0.08 µs mixed
Realtime clock	With
Function available	Memory retention, without battery
Communication port protocol	1 non isolated serial link, connector type: RJ45, communication port: RS485/RS232, transmission rate: 0.3...19.2 kbit/s for connecting <= 247 devices 1 CANopen, connector type: SUB-D 9, transmission rate: 20 kbit/s...1 Mbit/s for connecting <= 16 devices 2 Ethernet, connector type: RJ45, transmission rate: 10/100 Mbit/s
Integrated connection type	USB port : mini B USB
Port Ethernet	10BASE-T/100BASE-TX
Bus length	0...10 m serial link non isolated 0...15 m serial link non isolated 0...1000 m serial link isolated with external isolation tap 0...20 m, transmission rate: 1 Mbit/s, communication port: CANopen 0...2500 m, transmission rate: 20 kbit/s, communication port: CANopen 0...100 m, communication port: Ethernet
Communication service	Read/write variables for Modbus Diagnostics for Modbus

Disclaimer: This documentation is not intended as a substitute for and is not to be used for determining suitability or reliability of these products for specific user applications

Send/receive character string for character mode
 Process Data Object (PDO) for CANopen
 Service Data Object (SDO) for CANopen
 FDR client for Ethernet
 SNMP for Ethernet
 RSTP support for Ethernet

Discrete input type	Type 3
Discrete input current	5 mA
Discrete input voltage	19...30 V DC
Discrete output number	8 positive
Discrete output current	500 mA per output
Discrete output voltage	19...30 V DC
Protection type	Overload protection for output Short-circuit protection for output Reverse polarity protection, 0.5 A fast blow fuse for input 1 external fuse per group of output channel, 6.3 A fast blow fuse for discrete I/O
Analogue input number	4
Analogue input type	Current, input range: - 20...20 mA Voltage, input range: - 10...10 V
Fast read cycle time	1.3 ms + 1.3 ms x number of channels used
Nominal read cycle time	6.5 ms for 4 channels
Analogue input resolution	16 bits

Environment

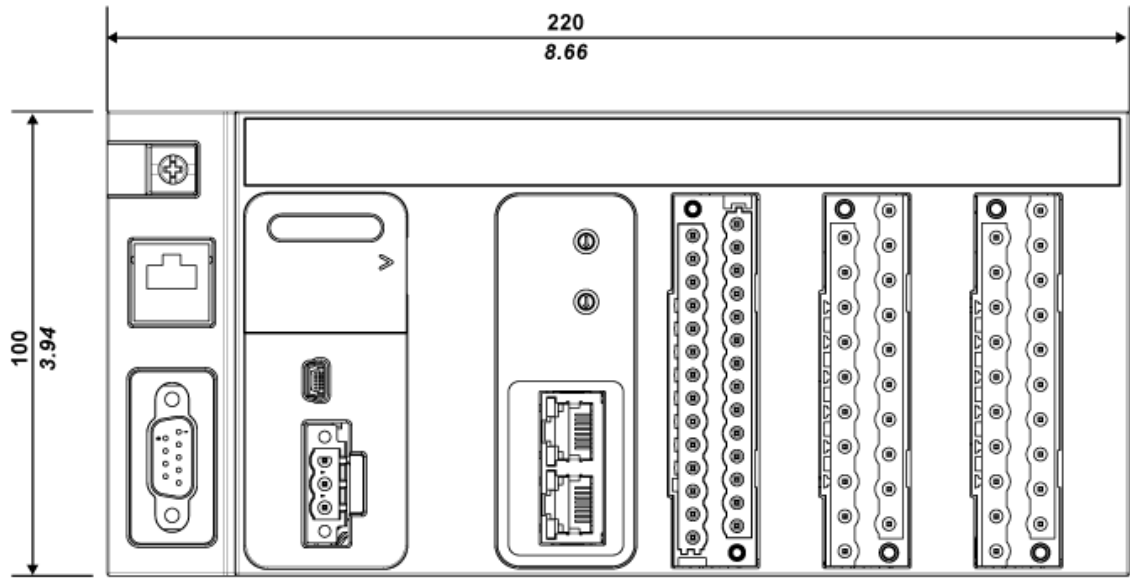
Ambient air temperature for operation	-25...70 °C
Ambient air temperature for storage	-40...85 °C
Relative humidity	0...95 %
Vibration resistance	3 gn
Marking	CE
Standards	CSA C22.2 No 142 IEC 61131-2 UL 508 CSA C22.2 No 213 Class I Division 2 Group A CSA C22.2 No 213 Class I Division 2 Group B CSA C22.2 No 213 Class I Division 2 Group C CSA C22.2 No 213 Class I Division 2 Group D
Product certifications	RCM

Offer Sustainability

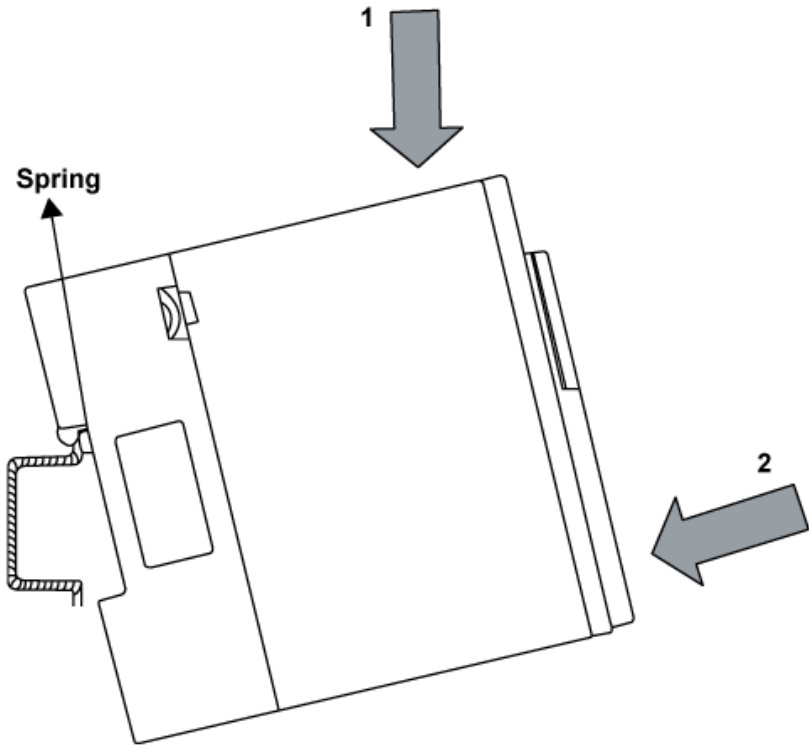
Sustainable offer status	Green Premium product
RoHS (date code: YYWW)	Compliant - since 1428 - Schneider Electric declaration of conformity Schneider Electric declaration of conformity
REACH	Reference not containing SVHC above the threshold Reference not containing SVHC above the threshold
Product environmental profile	Available Product Environmental Profile
Product end of life instructions	Available End of Life Information

Dimensions

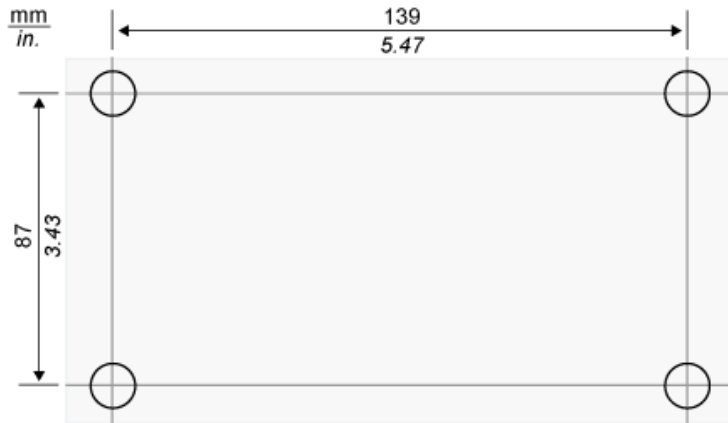
$\frac{\text{mm}}{\text{in.}}$



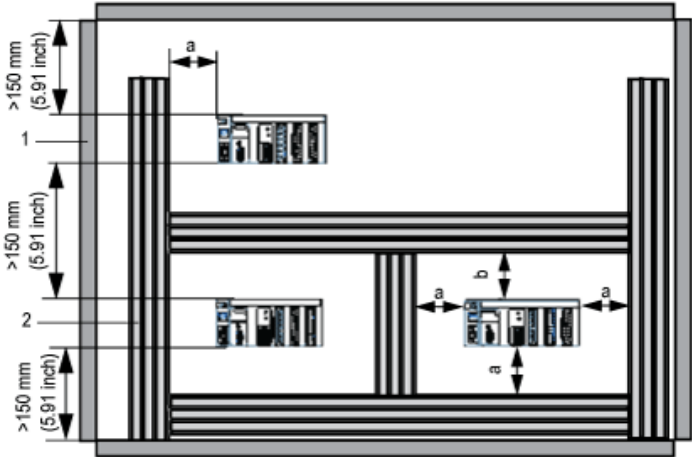
Mounting on DIN Rails



Mounting on Panels

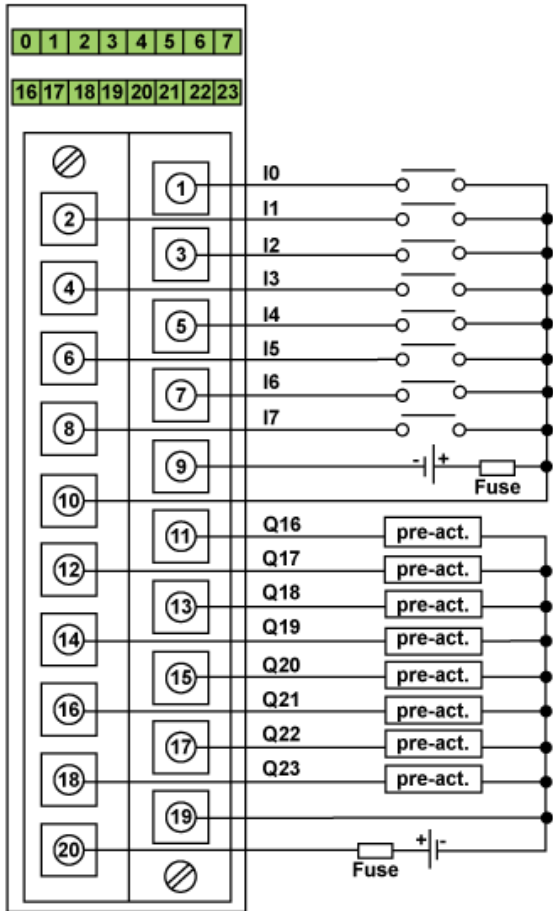


Clearance



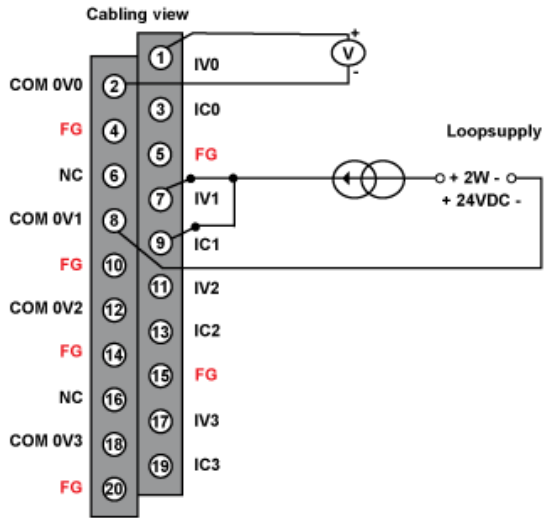
- a : Greater than or equal to 60 mm (2.36 inch)
- b : Greater than or equal to 80 mm (3.15 inch)
- 1 : Installation or casing
- 2 : Wiring duct or tray

Discrete I/O Connection



power supply 24Vdc
input fuse fast blow fuse of 0.5 A
output fuse fast blow fuse of 6.3 A
pre-act: pre-actuator

Analog Input Connection



IVx +: Pole input for channel x
 COM 0Vx: Pole input for channel x
 ICx: Current reading resistor + input
 FG: Functional ground