



Main

Range of product	Modicon M580
Product or component type	Processor module

Complementary

Current consumption	295 mA at 24 V DC
MTBF reliability	946000 H
Marking	CE

Environment

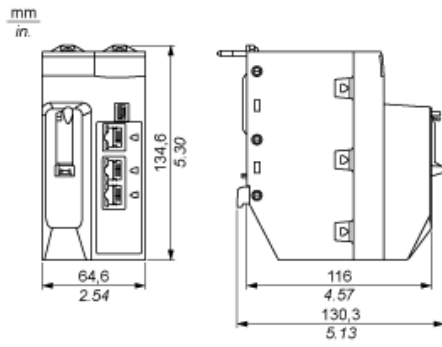
Vibration resistance	3 gn
Shock resistance	15 gn
Ambient air temperature for operation	-25...60 °C
Ambient air temperature for storage	-40...85 °C
Operating altitude	0...2000 m 2000...5000 m with derating factor
Relative humidity	5...95 % at 55 °C without condensation
IP degree of protection	IP20
Standards	IEC 61850-3 EN/IEC 61131-2 CSA C22.2 No 61010-2-201 EN/IEC 61000-6-5 UL 61010-2-201
Protective treatment	Conformal coating
Environmental characteristic	Gas resistant class Gx Gas resistant class 3C4 Dust resistant class 3S4 Sand resistant class 3S4 Salt resistant level 2 Mold growth resistant class 3B2 Fungal spore resistant class 3B2
Product certifications	TÜV CSA

	CE RCM UL Merchant Navy EAC
Safety level	PL = e SIL 3
Supply	Internal power supply via rack
Status LED	1 LED (green)processor running (RUN): 1 LED (red)processor or system fault (ERR): 1 LED (green)download in progress (DL): 1 LED (green)processor in safety mode (SRUN): 1 LED (green)processor in maintenance mode (SMOD):
Net weight	0.849 kg

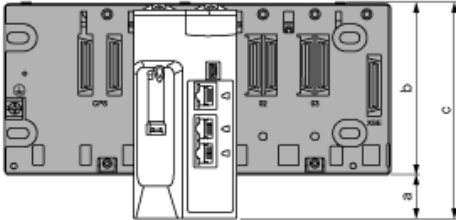
Offer Sustainability

Sustainable offer status	Green Premium product
REACH Regulation	REACH Declaration
EU RoHS Directive	Pro-active compliance (Product out of EU RoHS legal scope) EU RoHS Declaration
Mercury free	Yes
RoHS exemption information	Yes
China RoHS Regulation	China RoHS declaration
Circularity Profile	End of Life Information
WEEE	The product must be disposed on European Union markets following specific waste collection and never end up in rubbish bins

CPU Module Only

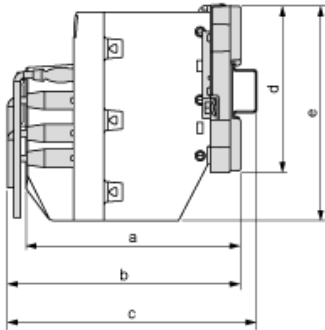


Modules Mounted on Racks



- a: additional space below the rack to accommodate the height of the CPU. For an X Bus rack, the value is 30.9 mm (1.217 in.); for an Ethernet rack, the value is 30.9 mm (1.217 in.).
- b: the height of the rack. For an X Bus rack, the height is 103.7 mm (4.083 in.); for an Ethernet rack, the height is 105.11 mm (4.138 in.).
- c: the height of the main local rack, 134.6 mm (5.299 in.).

Modules and Cables Mounted in an Enclosure



- a: enclosure depth: 135 mm (5.315 in.)
- b: wiring + module depth: > 146 mm (5.748 in.)
- c: wiring + module + DIN rail depth: > 156 mm (6.142 in.)
- d: rack height: for an X Bus rack 103.7 mm (4.083 in.); for an Ethernet rack, 105.11 mm (4.138 in.)
- e: module height: 134.6 mm (5.299 in.)