



## Main

Range compatibility	Lexium 28
Product or component type	Servo motor
Device short name	BCH2

## Complementary

Maximum mechanical speed	5000 rpm
[Us] rated supply voltage	220 V
Network number of phases	Single phase Three phase
Continuous stall current	5.83 A
Continuous stall torque	3.18 N.m for LXM28... at 7 A, 220 V, single phase 3.18 N.m for LXM28... at 7 A, 220 V, three phase
Continuous power	1000 W
Peak stall torque	9.54 N.m for LXM28... at 7 A, 220 V, single phase 9.54 N.m for LXM28... at 7 A, 220 V, three phase
Nominal output power	1000 W for LXM28... at 7 A, 220 V, single phase 1000 W for LXM28... at 7 A, 220 V, three phase
Nominal torque	3.18 N.m for LXM28... at 7 A, 220 V, single phase 3.18 N.m for LXM28... at 7 A, 220 V, three phase
Nominal speed	3000 rpm for LXM28... at 7 A, 220 V, single phase 3000 rpm for LXM28... at 7 A, 220 V, three phase
Maximum current Irms	18.9 A for LXM28... at 1 kW, 220 V
Maximum permanent current	6.64 A
Product compatibility	LXM28... servo drive motor at 1 kW, 220 V, single phase LXM28... servo drive motor at 1 kW, 220 V, three phase
Shaft end	Smooth shaft
Shaft diameter	22 mm
Shaft length	45 mm
Feedback type	20 bits single turn absolute encoder
Holding brake	Without
Mounting support	Asian standard flange
Motor flange size	100 mm
Electrical connection	MIL connector

Disclaimer: This documentation is not intended as a substitute for and is not to be used for determining suitability or reliability of these products for specific user applications

Torque constant	0.55 N.m/A at 20 °C
Back emf constant	33 V/krpm at 20 °C
Rotor inertia	2.4 kg.cm <sup>2</sup>
Stator resistance	0.67 Ohm at 20 °C
Stator inductance	4.2 mH at 20 °C
Stator electrical time constant	6.27 ms at 20 °C
Maximum radial force Fr	570 N 3000 rpm
Maximum axial force Fa	200 N
Brake pull-in power	10.4 W
Type of cooling	Natural convection
Length	153.5 mm
Number of motor stacks	1
Centring collar diameter	95 mm
Centring collar depth	7 mm
Number of mounting holes	4
Mounting holes diameter	9.2 mm
Circle diameter of the mounting holes	115 mm
Distance shaft shoulder-flange	7 mm
Product weight	4.6 kg

## Environment

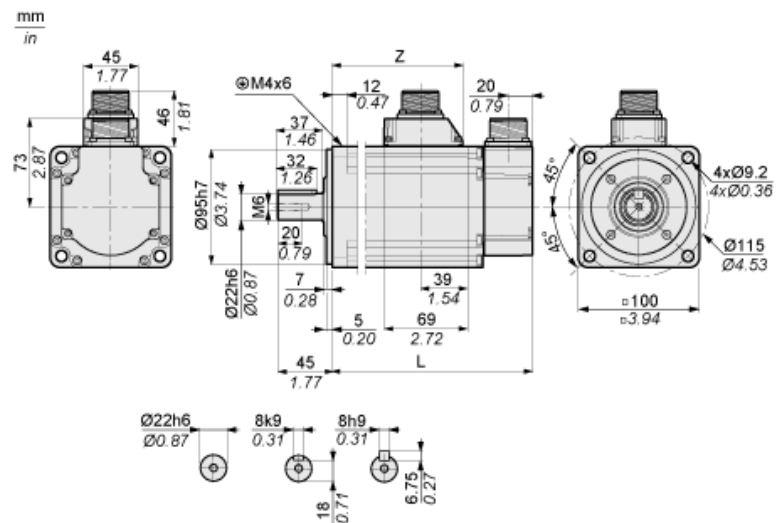
IP degree of protection	IP54 IM B5, IM V1 IP50 IM V3
Ambient air temperature for operation	-20...40 °C

## Offer Sustainability

RoHS (date code: YYWW)	Compliant - since 1442 - Schneider Electric declaration of conformity <a href="#">Schneider Electric declaration of conformity</a>
REACH	Reference not containing SVHC above the threshold <a href="#">Reference not containing SVHC above the threshold</a>

Dimensions

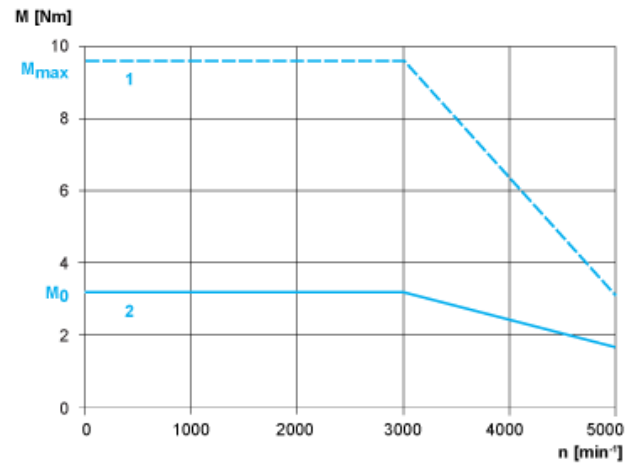
Dimensions of Motor



	mm	in.
L (without holding brake)	153.5	6.04
L (with holding brake)	180.5	7.11
Z	96	3.78

Torque/Speed Curves with 230 V Single/Three Phase Supply Voltage

Servo Motor with LXM28AU10●●● Servo Drive



- 1 : Peak torque
- 2 : Continuous torque