



Main

Range of product	Modicon Momentum automation platform
Product or component type	Discrete inputs base AC
Group of channels	2 groups of 8 inputs
Discrete input number	16 conforming to IEC 1131-2 Type 2
Discrete input voltage	120 V AC
Protective treatment	TC

Complementary

Discrete input logic	Positive
Input voltage limits	85...132 V
Network frequency	47...63 Hz
Voltage range	0...132 V
Voltage state 0 guaranteed	≤ 20 V
Voltage state 1 guaranteed	≥ 74 V
Current state 0 guaranteed	≤ 2 mA
Current state 1 guaranteed	≥ 10 mA
Input resistance	7.5 kOhm 60 Hz 9.5 kOhm 50 Hz
Response time	10 ms 60 Hz from state 0 to state 1 35 ms 60 Hz from state 1 to state 0
Isolation between group	1780 V AC
Isolation between channels and bus	1780 V AC
Terminals description PLC n°1	(N)PW (5)IN_DIS#5 (13)IN_DIS#13 (15)IN_DIS#15 (12)IN_DIS#12 (10)IN_DIS#10 (14)IN_DIS#14 (11)IN_DIS#11

Disclaimer: This documentation is not intended as a substitute for and is not to be used for determining suitability or reliability of these products for specific user applications

(9)IN_DIS#9
 (7)IN_DIS#7
 (L1)PW
 (1)IN_DIS#1
 (8)IN_DIS#8
 (2)IN_DIS#2
 (6)IN_DIS#6
 (16)IN_DIS#16
 (3)IN_DIS#3
 TB
 (4)IN_DIS#4

Marking	CE
Local signalling	16 LEDschannel status:
Current consumption	<= 125 mA at 120 V AC
Depth	47.5 mm
Height	141.5 mm
Width	125 mm
Net weight	0.284 kg

Environment

Product certifications	UL FM Class 1 Division 2 CSA
Resistance to electrostatic discharge	4 kV contact conforming to IEC 801-2 8 kV on air conforming to IEC 801-2
Resistance to electromagnetic fields	10 V/m 80...1000 MHz conforming to IEC 801-3
Ambient air temperature for operation	0...60 °C
Ambient air temperature for storage	-40...85 °C
Relative humidity	95 % without condensation
Operating altitude	<= 5000 m

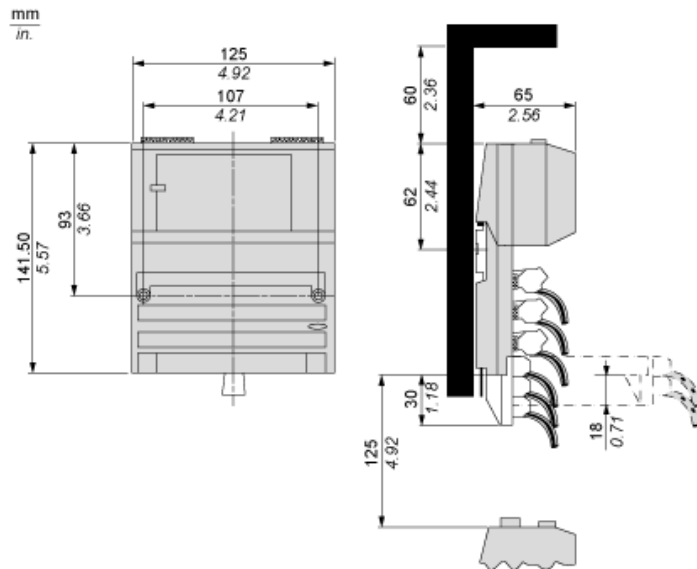
Offer Sustainability

Sustainable offer status	Green Premium product
REACH Regulation	REACH Declaration
EU RoHS Directive	Pro-active compliance (Product out of EU RoHS legal scope) EU RoHS Declaration
Mercury free	Yes
RoHS exemption information	Yes
China RoHS Regulation	China RoHS declaration
Environmental Disclosure	Product Environmental Profile
Circularity Profile	End of Life Information
WEEE	The product must be disposed on European Union markets following specific waste collection and never end up in rubbish bins

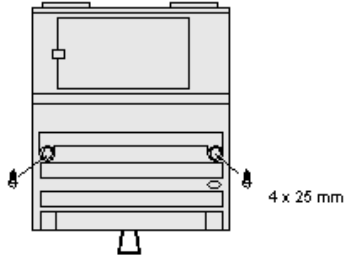
Contractual warranty

Warranty	18 months
----------	-----------

Standard Adapter on a Discrete VAC Base

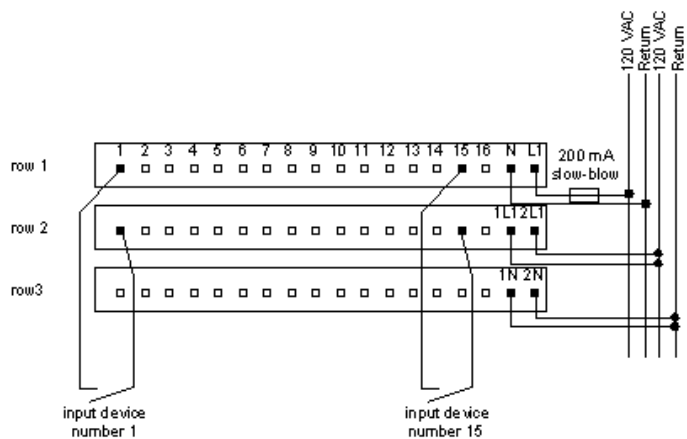


Mounting on a Wall

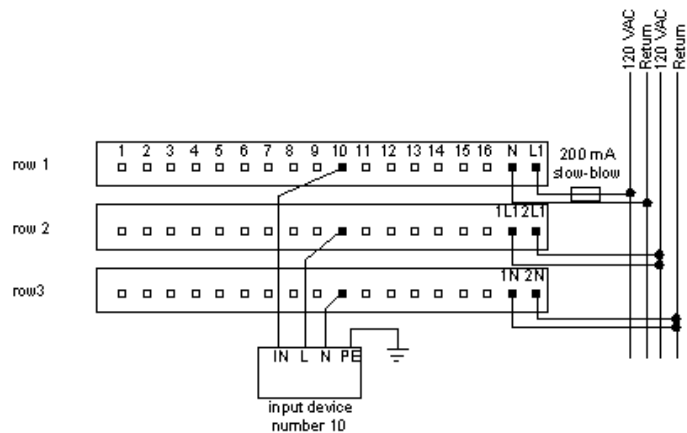


External Wiring Diagrams

2-Wire Devices



3-Wire Device



Internal Pin Connections

